

THE DROPOMETER

The world of Surface Science simplified with **Smartphone Technology**

LEARN MORE

Instrument Unboxing, Assembly & Software Demo

droplet lab

HOW IT WORKS!



FLAGSHIP INSTRUMENT WITH **AUTOMATIC DROPPER**



COST-EFFECTIVE

Droplet Lab drastically reduces the initial investment costs associated with tensiometers while maintaining high end features.



EASY TO USE

The app at the heart of the Dropometer is simple and intuitive to use, bypassing any need for paid user-training courses. With the Dropometer, you can be up and running in less than twenty minutes.



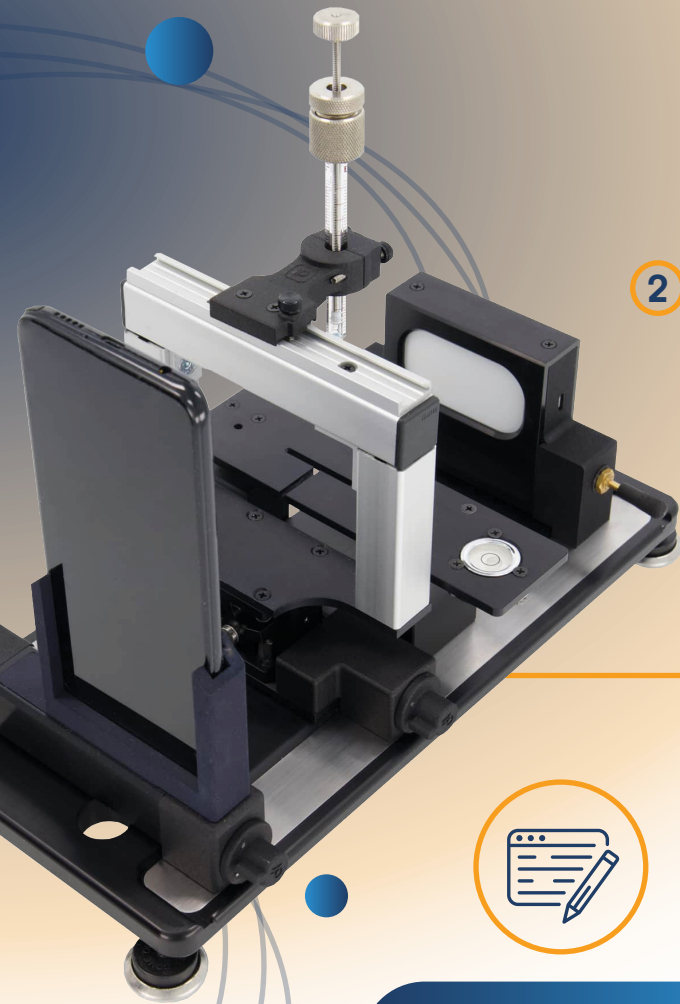
SMARTPHONE-BASED

The system doesn't require the use of additional laptops or desktop computers and benefits from the full connectivity of a smartphone.

MEASUREMENT	METHODS
STATIC AND DYNAMIC CONTACT ANGLE	Young-Laplace and Polynomial
STATIC AND DYNAMIC SURFACE TENSION	Young-Laplace
SLIDING ANGLE	Polynomial
SURFACE ENERGY	Equation of States, Fowkes, Oss and Good



droplet lab



CUSTOMER TESTIMONIALS!



FLAGSHIP INSTRUMENT WITH **MANUAL DROPPER**



PEER-REVIEWED

The patented technology that the dropometer is built on was designed by experts in the field of tensiometry and has undergone extensive peer review, ensuring the system operates to the highest standards.



PORTABLE

Dropometer's significantly reduced size and weight makes it the ideal choice for teaching and fieldwork measurements.

DIMENSIONS	30(H) x 15(W) x 45(L) cm
WEIGHT	1 KG
MIN. DROP VOLUME WITH AUTOMATIC DROPPER	0.05 μ L
DROP VOLUME WITH MANUAL DROPPER	1 rotation is 5.29 μ L

BOOK A MEETING

CONTACT US!

- 647-490-4644
- info@dropletlab.com
- <https://dropletlab.com>

◆ Trusted by Fortune 500 companies and Ivy League Universities



Heraeus

AXIOM
SPACE



HARVARD
UNIVERSITY



U.S. DEPARTMENT OF
ENERGY



AVERY
DENNISON



HOLCIM



National Research
Council Canada